

2MP 22x Starlight IR Network PTZ Dome Camera

IPC6252SR-X22U(G)



Key Features

Optics

- Starlight illumination
- Accurate and fast focusing
- Smart IR, up to 200m (656ft) IR distance
- Optical glass window with higher light transmittance
- IR anti-reflection window to increase the infrared transmittance

Compression

- Ultra 265, H.265, H.264, MJPEG
- Triple streams
- Customized OSD
- 1080P@60fps Supported

Network

- ONVIF Conformance

Structure

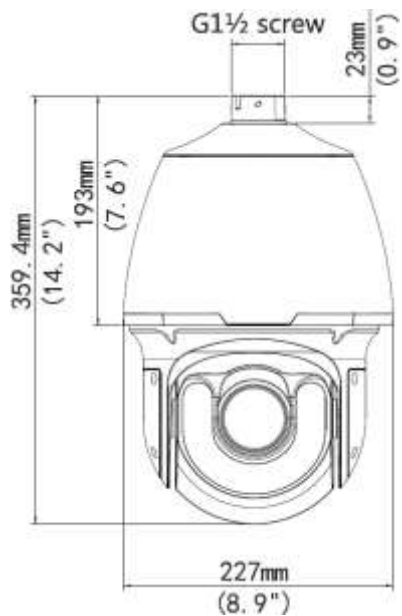
- 15° Elevation Angle
- Innovative snow-removing functionality
- More effective heat dissipation system
- Intelligent temperature control technology
- 6KV surge protection designed for network interface

Specifications

	IPC6252SR-X22U	IPC6252SR-X22UG			
Camera					
Sensor	1/1.8", 2.0 megapixel, progressive scan, CMOS				
Lens	6.5 ~ 143mm , AF automatic focusing and motorized zoom lens				
Digital Zoom	16				
Optical Zoom	22				
DORI Distance	Lens (mm)	Detect (m)	Observe (m)	Recognize (m)	Identify (m)
	6.5	78	31.2	15.6	7.8
	143	1716	686.4	343.2	171.6
Angle of View (H)	57.2° ~ 3.3°				
Angle of View (V)	38.4° ~ 1.3°				
Angle of View (O)	70.4° ~ 3.9°				
Shutter	Auto/Manual; shutter time: 1 ~ 1/100000s				
Minimum Illumination	Colour: 0.0005Lux (F1.5, AGC ON) 0Lux with IR				
Iris	Auto/Manual; F1.5 ~ F3.4				
Day/Night	IR-cut filter with auto switch (ICR)				
Digital noise reduction	2D/3D DNR				
S/N	>52dB				
IR Range	UP to 200m (656ft)				
Defog	Digital Defog				
WDR	120dB				
Video					
Video Compression	Ultra 265, H.265, H.264, MJPEG				
H.264 code profile	Baseline profile, Main Profile, High Profile				
Frame Rate	Main Stream: 2MP (1920*1080), Max 60fps; Sub Stream: 2MP (1920*1080), Max 60fps; Third Stream: D1 (720*576), Max 60fps				
HLC	Supported				
BLC	Supported				
EIS	Supported				
OSD	Up to 8 OSDs				

Privacy Mask	Up to 24 areas	
ROI	Supported	
Motion Detection	Up to 4 areas	
Smart		
General Function	Watermark, IP Address Filtering, Tampering Alarm, Alarm input, Alarm output, Access Policy, ARP Protection, RTSP Authentication, User Authentication	
Audio		
Audio Compression	G.711	
Two-way audio	Supported	
Suppression	Supported	
Sampling Rate	8KHZ	
Storage		
Edge Storage	Micro SD, up to 256GB	
Network Storage	ANR	
Network		
Protocols	IPv4, IGMP, ICMP, ARP, TCP, UDP, DHCP, PPPoE, RTP, RTSP, RTCP, DNS, DDNS, NTP, FTP, UPnP, HTTP, HTTPS, SMTP, 802.1x, SNMP, QoS	
Compatible Integration	ONVIF (Profile S, Profile G, Profile T), API	
Pan & Tilt		
Pan Range	360° (endless)	
Pan Speed	0.1°/s ~ 240°/s	
	Preset speed: 300°/s	
Tilt Range	-15° ~ 90° (auto reverse)	
Tilt Speed	0.1° ~ 160°/s	
	Preset speed: 240°/s	
Number of Presets	1024	
Patrol	Preset patrol, route patrol, recorded patrol	
Home Position	Supported	
Interface		
Audio I/O	Audio cable	
	Input: impedance 35kΩ; amplitude 2V [p-p]	
	Output: impedance 600Ω; amplitude 2V [p-p]	
Alarm I/O	2/1	
Serial Port	1 RS485	
Network	1 RJ45 10M/100M Base-TX Ethernet	1 RJ45 1 100M/1000M SFP+10M/100M Base-TX Ethernet
Video Output	1 BNC, impedance 75Ω; amplitude 1V [p-p]	
General		
Power	AC 24V (Default) ±25%, DC 24V±25%	
	Power consumption: 11 ~ 47W	Power consumption: 11 ~ 47W
Dimensions (Ø x H)	Ø227 x 359.4mm (Ø8.9" x 14.2")	
Weight	5.5kg (12.1lb)	
Working Environment	-40°C ~ 70°C (-40°F ~ 158°F), Humidity: ≤95% RH (non-condensing)	
Ingress Protection	IP66	
Reset Button	Supported	

Dimensions



Zhejiang Uniview Technologies Co., Ltd.

Building No.10, Wanlun Science Park, Jiangling Road 88, Binjiang District, Hangzhou, Zhejiang, China (310051)

Email: overseasbusiness@uniview.com; globalsupport@uniview.com

<http://www.uniview.com>

©2019 Zhejiang Uniview Technologies Co., Ltd. All rights reserved.

*Product specifications and availability are subject to change without notice.