

4K WDR Vandal-resistant Vari-focal Dome Network Camera

IPC3238ER3-DVZ



Key Features

Optics

- Day/night functionality
- Smart IR, up to 30m (98ft) IR distance
- Up to 120dB Optical WDR (Wide Dynamic Range)
- 2D/3D DNR (Digital Noise Reduction)

Compression

- Ultra 265, H.265, H.264, MJPEG
- Triple streams
- ROI (Region of Interest)
- 9:16 corridor mode
- Customized OSD

Network

- ONVIF Conformance

Structure

- Wide temperature range: -40°C ~ 60°C (-40°F ~ 140°F)
- Wide voltage range of $\pm 25\%$

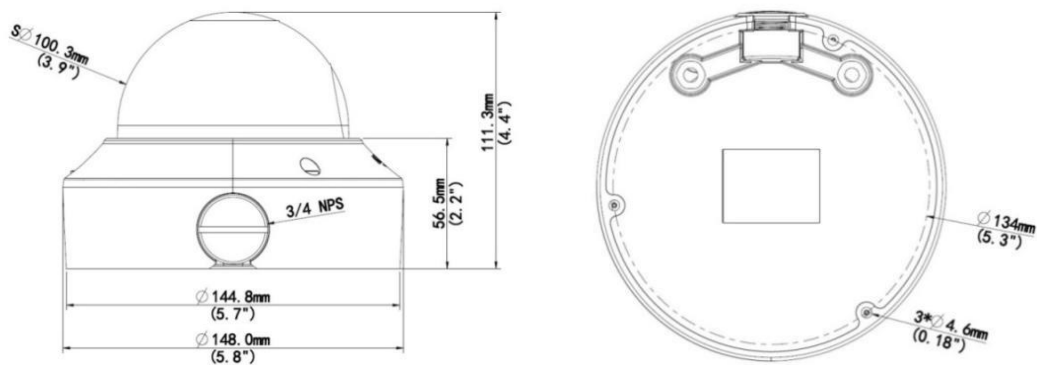
- IK10 vandal resistant
- IP67
- 3-Axis

Specifications

IPC3238ER3-DVZ					
Camera					
Sensor	1/2.5", 8.0 megapixel, progressive scan, CMOS				
Lens	2.8 ~ 12mm@F1.6				
DORI Distance	Lens (mm)	Detect (m)	Observe (m)	Recognize (m)	Identify (m)
	2.8	77.8	31.1	15.6	7.8
	12	333.3	133.3	66.7	33.3
Angle of View (H)	79.6° ~ 34.9°				
Angle of View (V)	64° ~ 16.6°				
Angle of View (O)	103.5° ~ 42.9°				
Adjustment angle	Pan: 0° ~ 360°		Tilt: 0° ~ 80°		Rotate: 0° ~ 360°
Shutter	Auto/Manual, 1 ~ 1/100000s				
Minimum Illumination	Colour: 0.02Lux (F1.6, AGC ON) 0Lux with IR				
IR Range	Smart-IR, up to 30m (98ft) IR range				
Day/Night	IR-cut filter with auto switch (ICR)				
Digital noise reduction	2D/3D DNR				
S/N	>55dB				
WDR	120dB				
Video					
Video Compression	Ultra 265, H.265, H.264, MJPEG				
H.264 code profile	Baseline profile, Main Profile, High Profile				
Frame Rate	Main Stream: 8MP (3840*2160), Max 30fps; 2MP (1920*1080), Max 30fps; Sub Stream: 2MP (1920*1080), Max 30fps; Third Stream: D1 (720*576), Max 30fps				
HLC	Supported				
BLC	Supported				
9:16 Corridor Mode	Supported				
OSD	Up to 8 OSDs				
Privacy Mask	Up to 8 areas				
ROI	Up to 8 areas				
Motion Detection	Up to 4 areas				
Audio					
Audio Compression	G.711				
Two-way audio	Supported				
Suppression	Supported				
Sampling Rate	8KHZ				

Storage	
Edge Storage	Micro SD, up to 256GB
Network Storage	ANR
Network	
Protocols	IPv4, IGMP, ICMP, ARP, TCP, UDP, DHCP, PPPoE, RTP, RTSP, RTCP, DNS, DDNS, NTP, FTP, UPnP, HTTP, HTTPS, SMTP, 802.1x, SNMP, QoS
Compatible Integration	ONVIF (Profile S, Profile G, Profile T), API
Interface	
Audio I/O	Audio cable
	Input: impedance 35kΩ; amplitude 2V [p-p]
	Output: impedance 600Ω; amplitude 2V [p-p]
Alarm I/O	1/1
Network	1 RJ45, 10M/100M Base-TX Ethernet
Video Output	1 BNC, impedance 75Ω; amplitude 1V [p-p]
Power Output	DC 12V Power Output With PoE
General	
Power	DC 12V±25%, PoE (IEEE 802.3af)
	Power consumption: Max 8.7W
Dimensions (Ø x H)	Φ148 x 111.3mm (Ø5.8" x 4.4")
Weight	0.92kg (2.0lb)
Working Environment	-40°C ~ 60°C (-40°F ~ 140°F), Humidity: ≤95% RH (non-condensing)
Ingress Protection	IP67
Vandal Resistant	IK10
Reset Button	Supported

Dimensions



Zhejiang Uniview Technologies Co., Ltd.

Building No.10, Wanlun Science Park, Jiangling Road 88, Binjiang District, Hangzhou, Zhejiang, China (310051)

Email: overseasbusiness@uniview.com; globalsupport@uniview.com

<http://www.uniview.com>

©2019 Zhejiang Uniview Technologies Co., Ltd. All rights reserved.

*Product specifications and availability are subject to change without notice.